

Vega

Electrical bed with adjustable height



A new bed concept!



- Minimizing the risk of falling
- Independence of movements for the patient
- Maximum comfort (backrest roto-translation and courtesy nightlight)



- Less exertion
- Prompt intervention
- Intuitive and efficient controls
- Designed for easy sanitizing operations



- Maximum flexibility of use
- Indicators for maintenance needs
- Nightlight indicating safe position

Security and comfort

Bifunctional and self-rehabilitative ergonomics

The containment sides of the Vega bed guarantee the patient's maximum protection for the entire length of the bed, as they minimize the risk of trapping limbs. (according to standard CEI EN 60601-2-52).

They are made of polypropylene, rotary printed and dyed in the mass, highly resistant even under high stress conditions. The ergonomic design of the handle allows the patient to move autonomously, thus avoiding excessive exertion for the healthcare operator while facilitating the patient's physical and psychological rehabilitation.

We believe that technology becomes functional when it is intuitive and efficient



"Out-of-Bed Function": bed to its minimum height, backrest up, legrest completely flat for safe getting out of bed



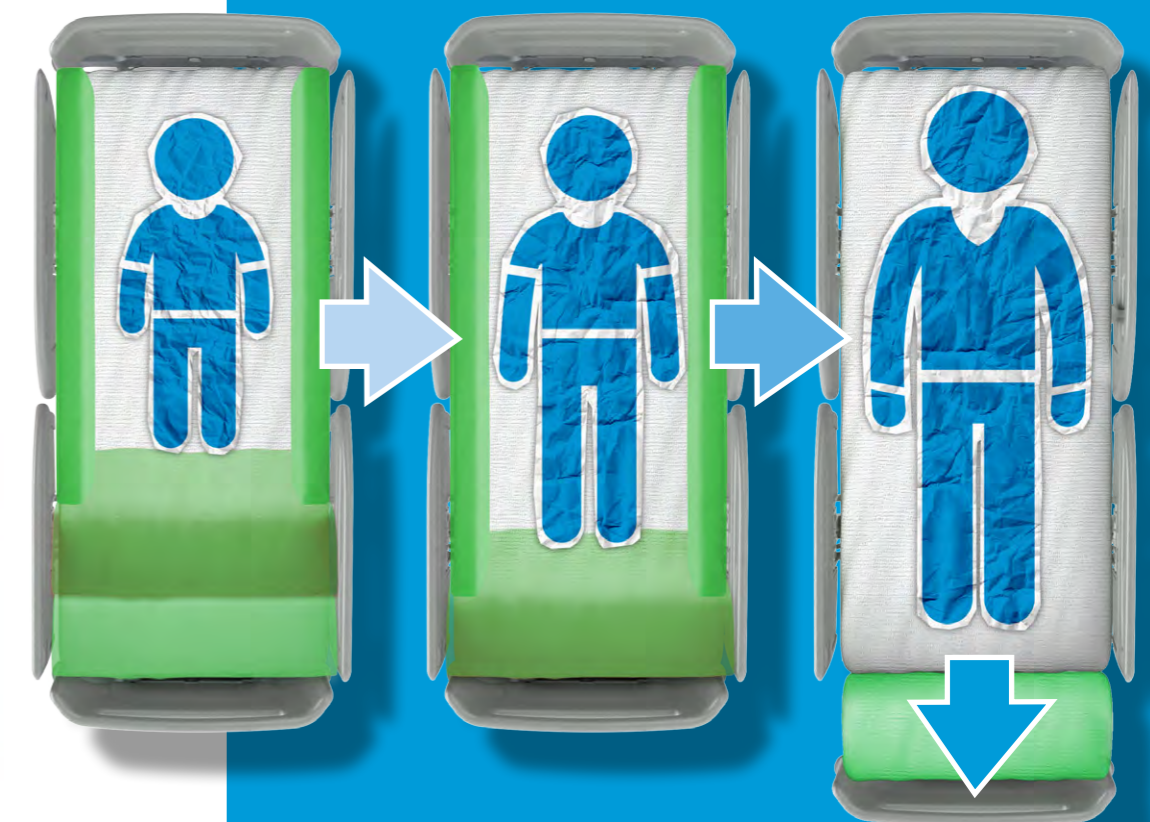
Maximum flexibility

Vega... a new generation bed

The containment area has a clean and modern design: head and foot boards curving inwards, 4-sector side-rails and non-toxic materials make the VEGA bed ideal also for pediatric use.

The VEGA bed is meant for accommodating children of different ages with their different sizes accordingly. Givas reckons that extendable pediatric beds cannot guarantee the necessary safety and comforts for patients as big as grown-ups. The VEGA bed is therefore designed for children at least 90 cm tall, thanks to special compensation cushions which reduce the lying surface, as shown below.

Versatility and utmost comfort in order to accommodate any guest



Just look!

Total safety in just one look

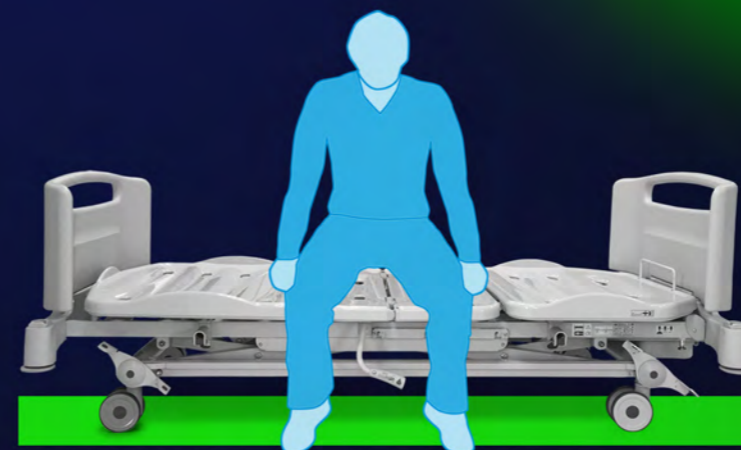
Night hours are the most delicate time of the day for healthcare operators as they must ensure total safety for the patients. Wrong height and section incline adjustments are the main causes for accidental falling of patients when getting out of the bed. Vega changes all of that: just one look is enough to know if the bed is in the safest night position. In SAFE MODE a GREEN LED light placed under the bed casts a light beam on the floor that lets the operator know if the bed is in the right position. If not, the light beam is RED.

SAFE POSITION

VEGA casts a GREEN light beam when:

- the lying surface is completely flat
- the bed is at its minimum height

If one of these settings is not complied with, then the RED light will be automatically activated.



All under POD control

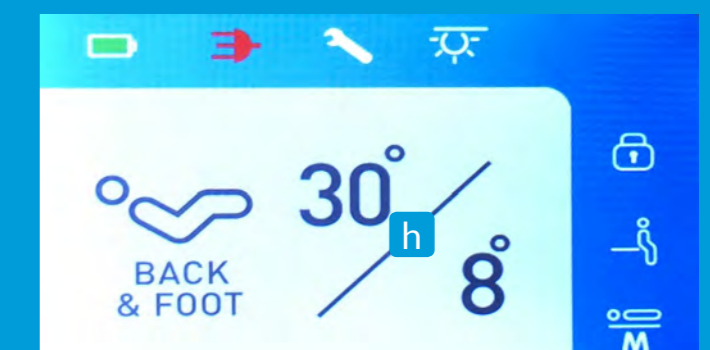
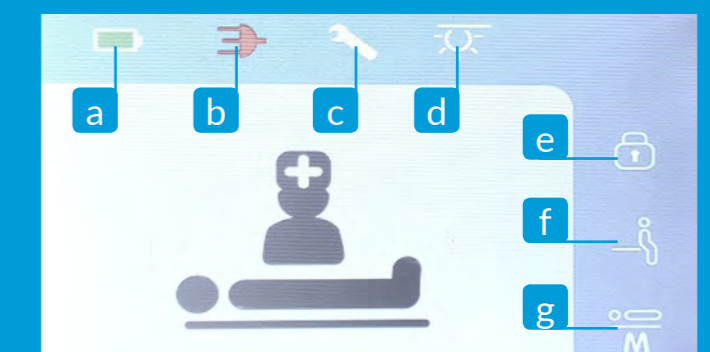
It is simple and safe
to have total control
in your hand

POD control is much more than a simple Supervisor of bed functions and movements: it is a total monitoring system of all those bed functions that can be required by hospital nurses and healthcare operators.

Some of the most important and innovative functions are:

- a) - Battery charge indicator;
- b) - Indicator of hand control when connected to the power grid;
- c) - Indicators for maintenance needs;
- d) - Safety nightlight indicator when RED/GREEN light is on;
- e) - Indicator of locked functions;
- f) - Alarm when patient gets out of the bed unattended;
- g) - Scale management;
- activation of foot controls locking
- memorization of lying surfaces positions
- activation of emergency Trendelenburg
- activation of backrest quick release for CPR
- h) - Indicator of incline degrees of each section.

Intuitive and efficient
control system of bed functions



Some screenshots of POD control for VEGA management



POD control

(Operator Control Panel
with multifunction Display)

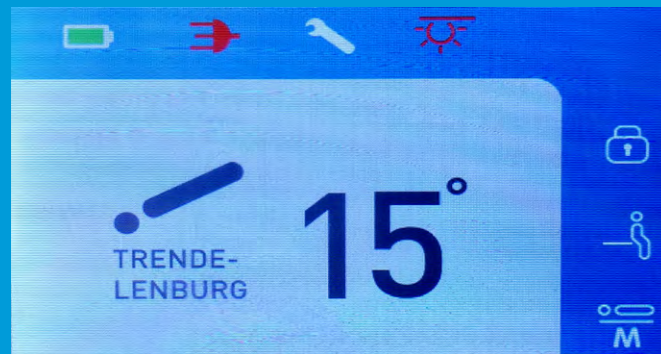
Simplicity in movements

Reliability in any situation

A large lying surface is the necessary starting point for offering top comfort to patients. The ABS surface has been carefully designed so as to be corner-free, with soft lines and ventilation ducts that guarantee proper aeration to the mattress, thus avoiding any dangerous and annoying inconvenience for the patients. An integrated system fastens the mattress in six different spots: this prevents any misalignments between the ABS surface and the mattress when the bed is moved.



Side-rails unlocking lever



Screenshot of POD control displaying Trend and reverse-Trend incline



Screenshot of POD control displaying backrest incline



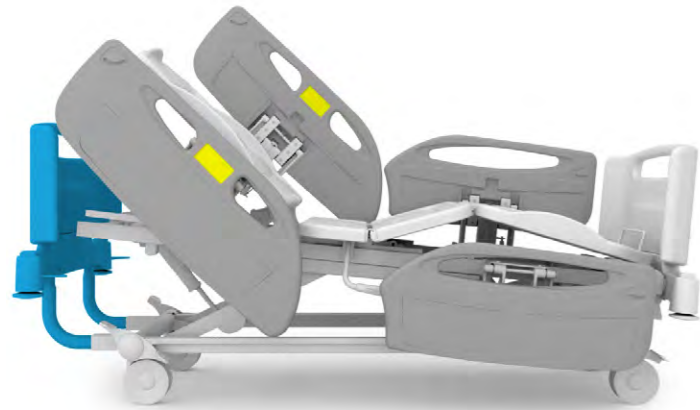
Different-sized surfaces

- "A" - Roto-translating backrest section
- "B" - Fixed pelvis section
- "C" - Femoral section
- "D" - Legrest section with hinge endowed with negative rotation lock



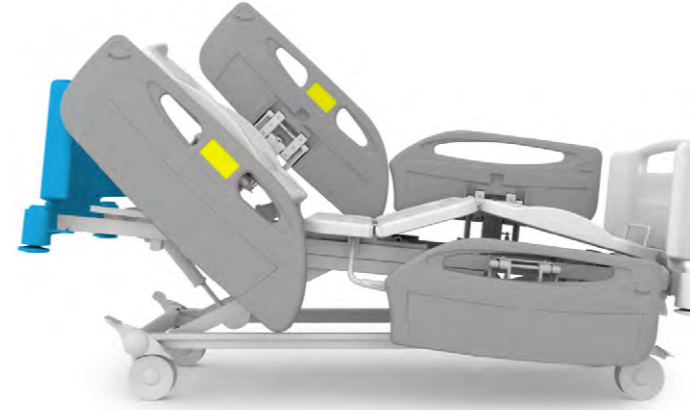
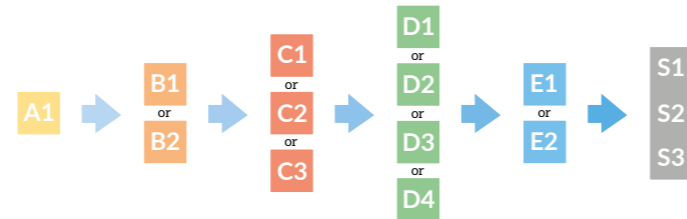
Fixed

...or mobile?



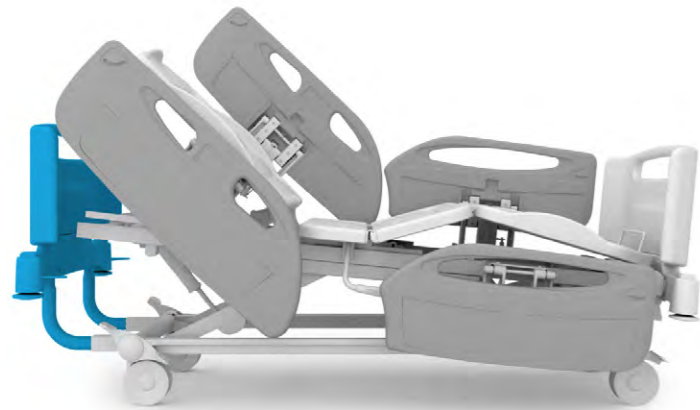
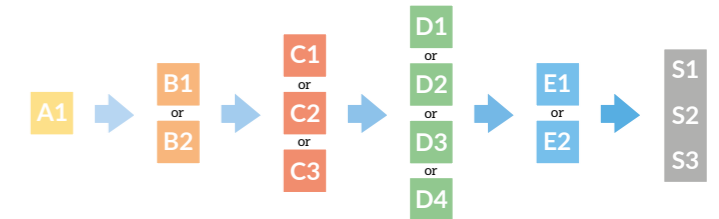
EBT518

Fixed Head Frame - 4-Sector Side-Rails With Integrated Controls
It may be configured by choosing among the following components:



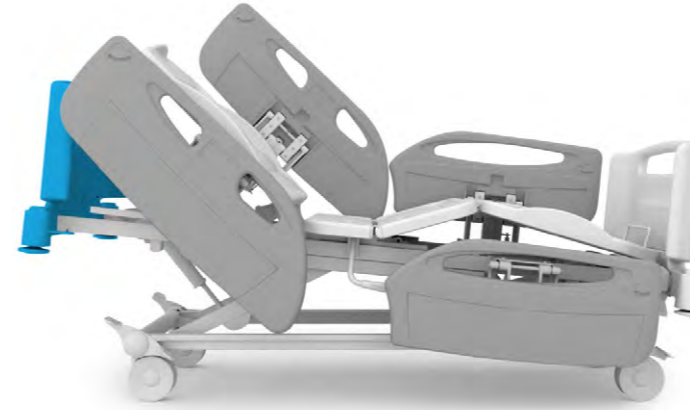
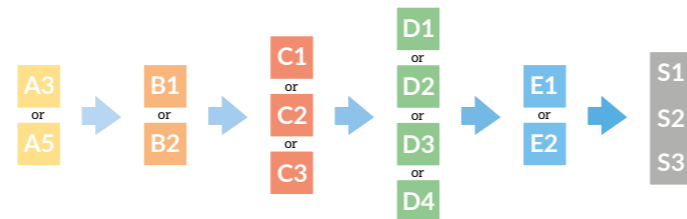
EBT508

Mobile Head Frame - 4-Sector Side-Rails With Integrated Controls
It may be configured by choosing among the following components:



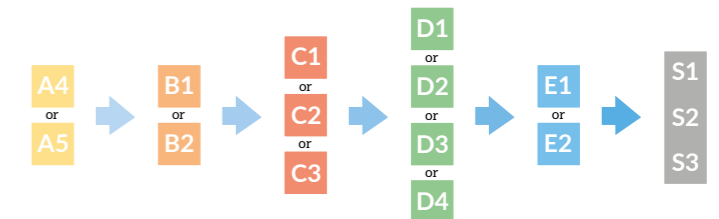
EBT514

Fixed Head Frame - 4-Sector Side-Rails
It may be configured by choosing among the following components:



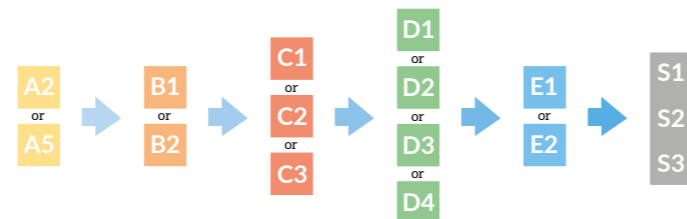
EBT504

Mobile Head Frame - 4-Sector Side-Rails
It may be configured by choosing among the following components:



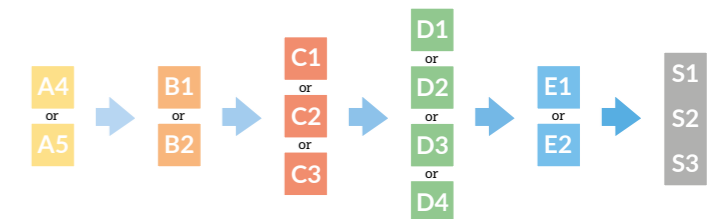
EBT510

Fixed Head Frame - Folding Side-Rails
It may be configured by choosing among the following components:



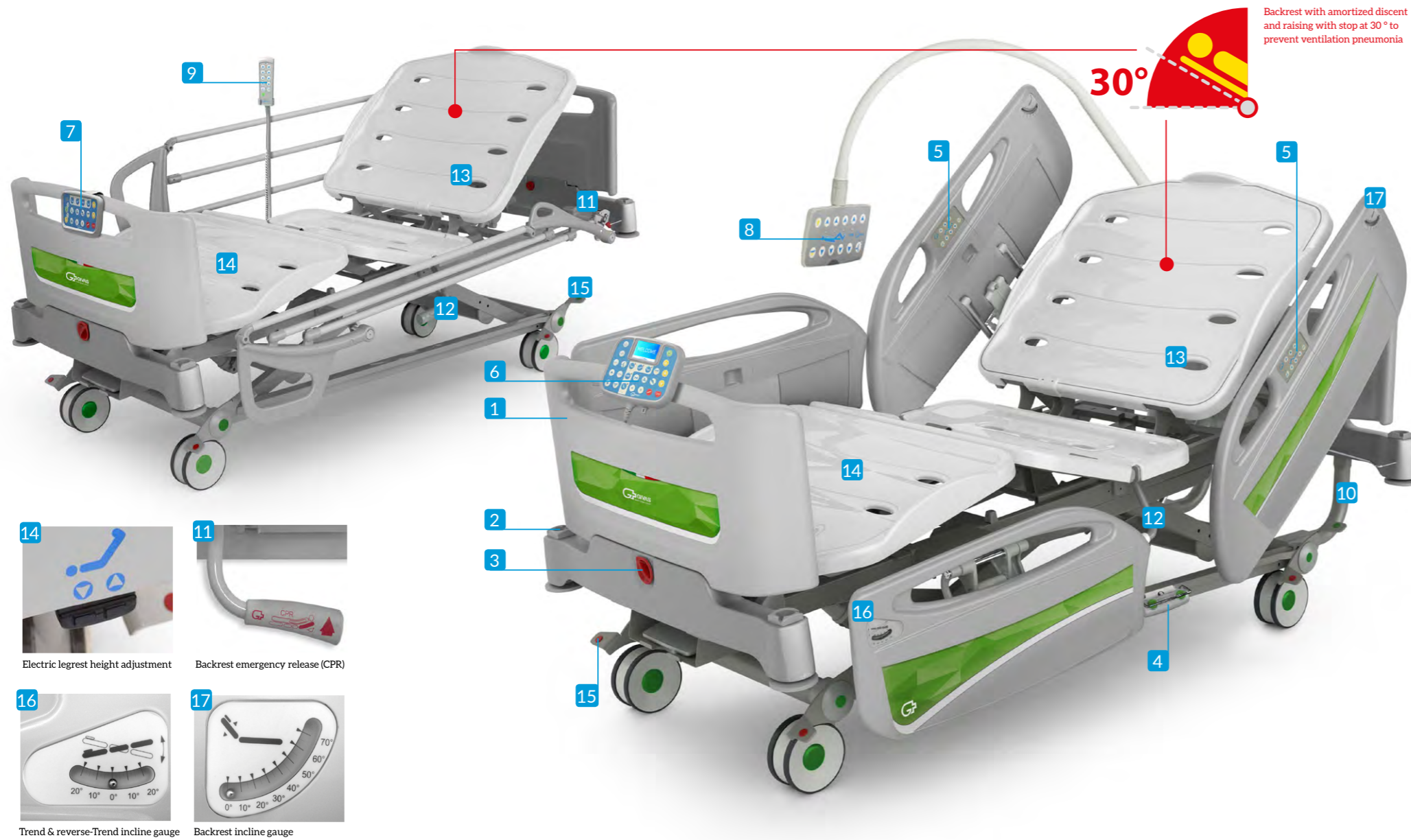
EBT500

Mobile Head Frame - Folding Side-Rails
It may be configured by choosing among the following components:



Comandi - Controls	A.C.O.	Gambale - Legrest	Ruote - Wheels (Ø 125/150)	Piani rete - Planes	Di serie - Standard
A1 Controls integrated on the side-rails	B1 POD Control - display	C1 Electric	D1 Directional steering	E1 ABS	S1 Bed extension
A2 "A" satellite	B2 Standard supervisor	C2 Gas spring	D2 Directional steering + Electric Foot Control	E2 Wire mesh	S2 Safety light + Locked wheels alarm
A3 "B" satellite		C3 Mechanical rack	D3 Free wheels + 5 th wheel		S3 Single roto-translation
A4 "C" satellite			D4 Free wheels + 5 th wheel + Electric Foot Control		
A5 Hand control					

Functionality



- 1 New ergonomic design for head/foot boards
- 2 Housing for I.V. stand outside the lying surface
- 3 Single control for locking/unlocking of head/foot boards
- 4 Double-pulse bilateral foot control
- 5 Inside/outside bilateral movement controls, integrated on the side-rails
- 6 POD control (Operator Control Panel with multifunction Display)
- 7 Standard supervisor
- 8 Flexible hanging FPP panel
- 9 Hand control with support (RAT620 - Opt.)
- 10 Bed structure with fixed head frame
- 11 Bed structure with mobile head frame
- 12 Manual CPR emergency device
- 13 Lying surface made of printed ABS, corner-free, with aeration holes and integrated system that fastens the mattress in 6 spots
- 14 Legrest section moved by mechanical rack, gas spring or electrically
- 15 Braking system with directional steering that can be activated at the 4 bed corners



RAT525 (Opt.)
POD control



RAT520 (Opt.)
Standard supervisor



Foot control for wheels:
RCTXXX



RAT505/510/515 (Opt.)
Flexible FPP panel



RAT500 (Opt.)
Hand control



Integrated control for:
VEGA EBT508-518

Accessories

Flexibility and ergonomics for any use

Thanks to the varnish with epoxy powders and plastic coverings mixed with "Interpone" additive, the VEGA bed is highly protected against bacteria.

Its surfaces are seamless and without fixing screws, therefore they can be quickly and efficiently sanitized.

Furthermore, it is equipped with big and sliding wheels and with a balanced structure that allow the operator to push the bed with less effort than usual.

It is also possible to add a 5th optional wheel that increases its manoeuvrability even with sharp bends.



RA0076
Bag holder hooks



LH0200
Mattress for bed extension



RA0112
Monitor support



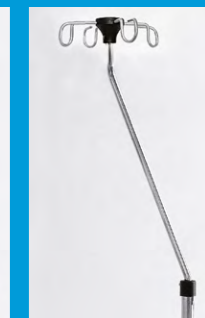
RAT610
Blanket support/ACO support



RA0148
Oxygen tank holder



RA0023
Adjustable
IV. stand,
2 hooks



RA0043
Adjustable
IV. stand,
4 hooks



RA0050
Standard
lifting pole



RA0053
Adjustable lifting pole
by push-button

Aquamike Handsfree Drinking

AQUAMIKE is a simple aid which allows patients to be autonomous by enabling them to have a drink at any time without using their hands or requiring help from carers, thus avoiding all movements that might be impossible or unwise.

RA1050 - Bottle support
RA1055 - Straws



RAT620
Hand control
support

